

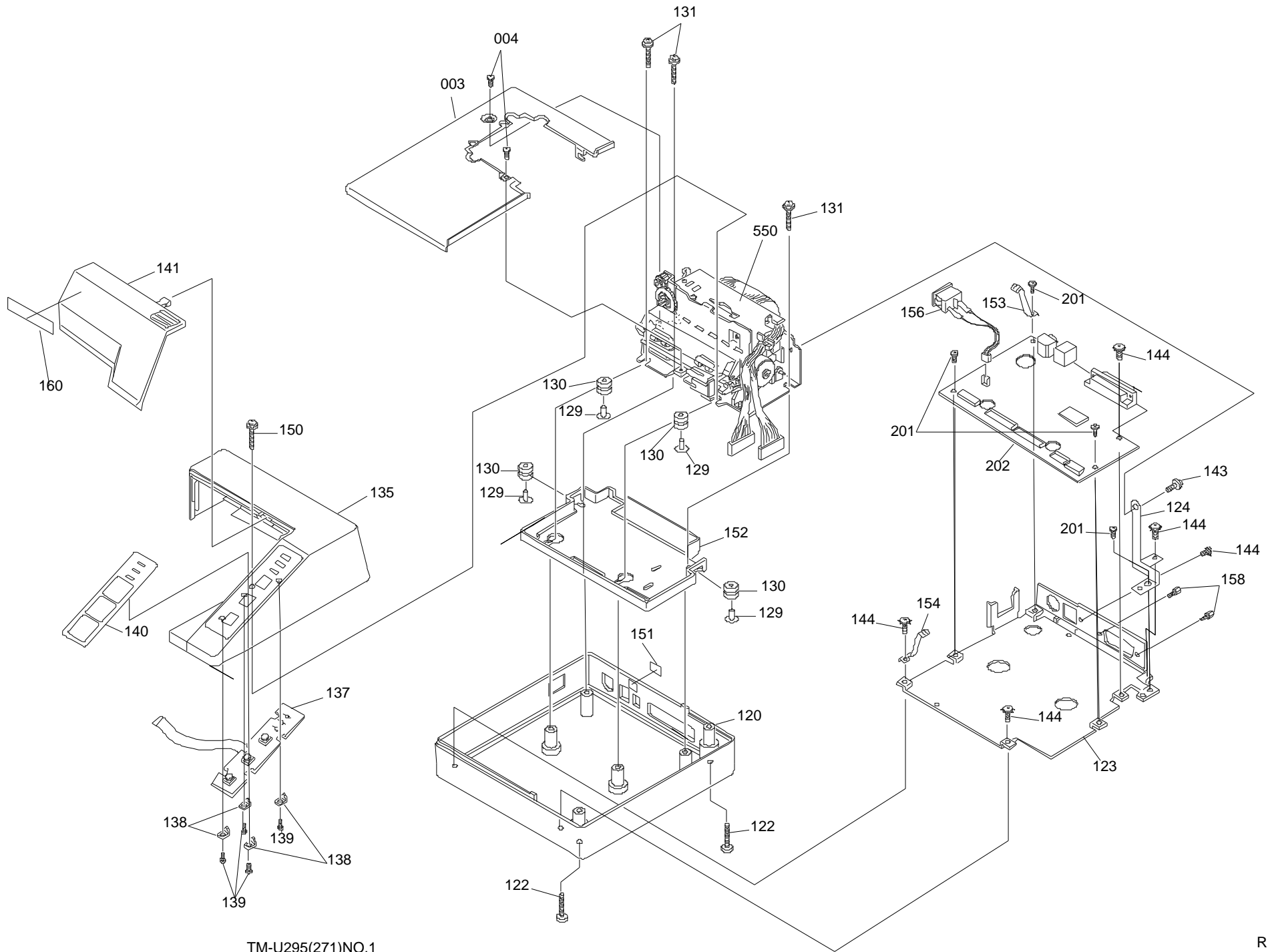
# EPSON

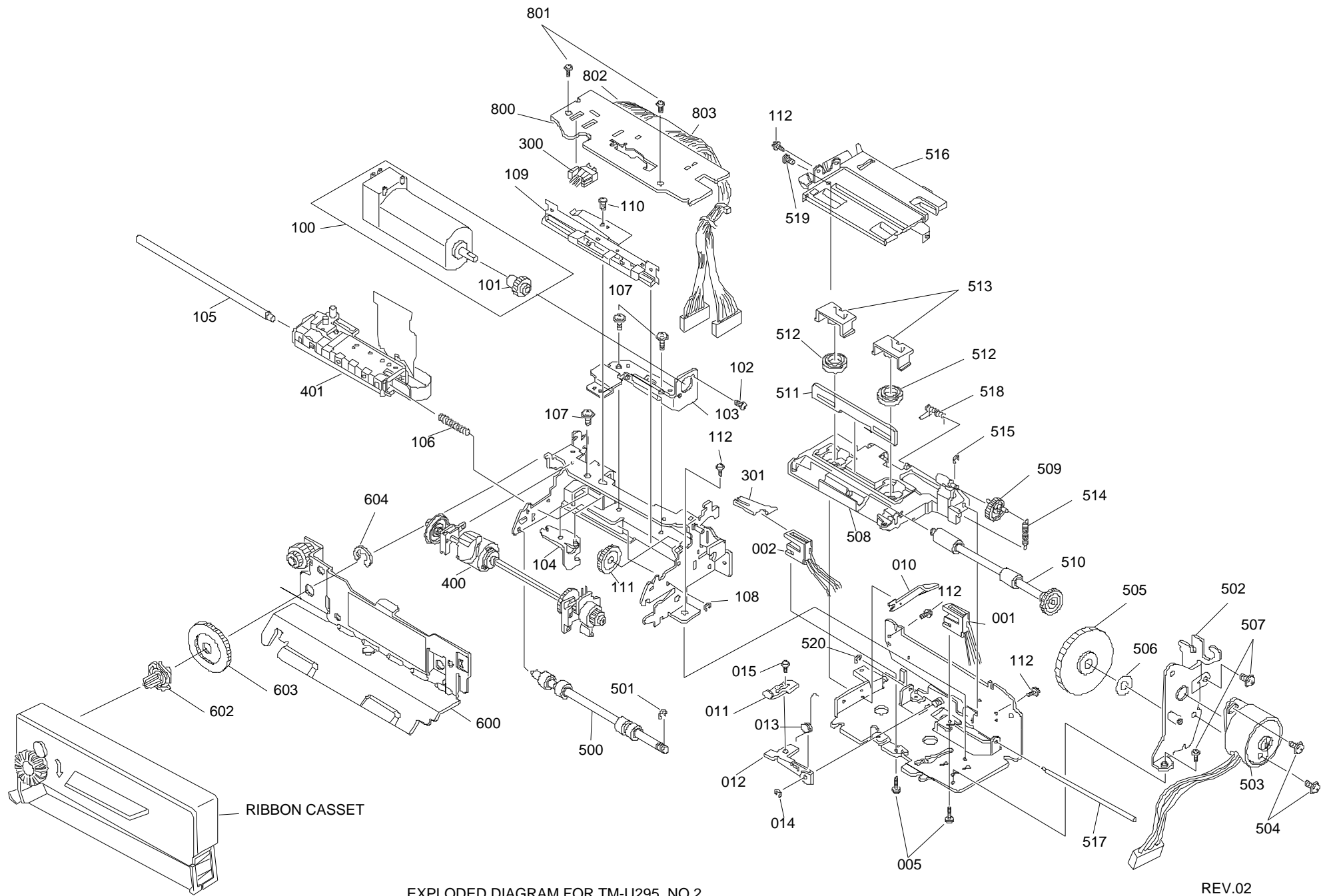
## TMU295(272)

RefNo.	Part Code	Part Name	Specification	Qty
3	1024350	DOCUMENT TABLE ASS'Y		1
120	1042482	CASE,LOWER SUB ASS'Y,AD	ECW	1
122	1284651	C.P.T-B SCREW,3X25,F/ZN-3C		2
123	1285894	PLATE,BASE,AC		1
124	1027241	GND PLATE,CA		1
129	1024844	SLEEVE		4
130	1021064	SPACER,VIBRATION		4
131	1284252	C.C.T-BT SCREW,3X20,F/ZN-3C		3
135	1042049	CASE,UPPER,AD	ECW	1
137	2037778	SWITCH CIRCUIT BOARD ASS'Y,B	TM-U295	1
138	1075106	PANEL CIRCUIT BOARD HOLDER(Y541001001)	049-1408	4
139	1284123	C.B.T-B SCREW,2.6X6,F/ZN-3C		4
140	1042467	SWITCH PANEL,AD	ECW	1
141	1042051	COVER,RIBBON CASSET,AD	ECW	1
143	1284242	C.C.S-TITE SCREW,4X6,F/ZN-3C		1
144	1284608	C.P.S-TITE(O)SCREW,3X6,F/ZN-3C		5
150	1284650	C.P.T-B SCREW,3X18,F/ZN-3C		1
151	1023411	SEAL,CAUTION		1
152	1024261	COVER,CIRCUIT BOARD		1
153	1024262	GND PLATE,AA		1
154	1285896	PLATE,GND		1
156	2014473	POWER CABLE ASS'Y,B		1
158	1082706	HEXAGON LOCK SCREW	INCH	2
160	1262133	LOGO PLATE,BA		1
201	1284167	C.C.P-TITE SCREW,3X8,F/ZN-3C		4
550	1403777	MECHANISM ASS'Y,BA		1
202	2108842	MAIN CIRCUIT BOARD UNIT,CE	SERIAL, 4M	1
CN1	2089293	CONNECTOR	2,2.5MM,UL-R	1
CN3	2089370	CONNECTOR	9,1.25MM,UL-R	1
CN4	2056006	CONNECTOR	3,,UL-L	1
CN5	2019931	CONNECTOR,285D-7660J-100	6,1.6MM	1
CN6	2022094	CONNECTOR	6,2MM	1
CN7	2008497	CONNECTOR	11PIN	1
CN8	2035077	CONNECTOR	12,2.5MM,	1
CN9	2033605	CONNECTOR	25,2.77MM,UL-R	1
DW1	2089373	DIP SWITCH	10,24V,25MA	1
DW2	2089943	DIP SWITCH	8,5V,10MA	1
F1	2083034	FUSE	TIME-LAG,125V,3.15A	1
F2	2082979	FUSE	NORMAL,24V,1A,	1
U1	2031029	COMPARATOR	SOP,8	1
U10	2073097	VOLTAGE REGULATOR		1
U11	2071137	RS-232 DRIVER/RECEIVER IC	SOP,16,	1
U12	2031029	COMPARATOR	SOP,8	1
U13	2071137	RS-232 DRIVER/RECEIVER IC	SOP,16,	1
U2	2035522	VOLTAGE REGULATOR	8	1
U20	2089364	LOGIC IC	SOP,8,	1
U4	2083052	MPU(MICRO PROCESSING UNIT)	QFP,,128	1
U5	2035523	VOLTAGE REGULATOR	3	1
U6	2031029	COMPARATOR	SOP,8	1
U8	2089369	SRAM	SOP,1MBIT,70N/SEC,32	1
1	1067270	TOF DETECTOR ASS'Y(F250151000)		1
2	1067212	BOF DETECTOR ASS'Y(F250152000)		1
4	1284048	C.B.S-TITE SCREW,2.5X5,F/ZN-3C		2
5	1284382	C.P.(S)SCREW,3X6,F/ZN-3C		2
10	1067442	STOPPER GUIDE LEVER(F250266010)		1
11	1067585	FORM STOPPER(F250266020)		1
12	1067444	STOPPER ACTUATE LEVER(F250266030)		1
13	1067516	FORM STOPPER SPRING(F250266040)		1
14	1283662	E-RING,2.3,F/UC-3C		1

# EPSON TMU295(272)

15	1284178	C.C.SCREW,2.5X4,F/ZN-3C		1
100	1067606	MOTOR ASS'Y(F250051000)	DC24V/0.12A/0.9W	1
101	1067610	MOTOR GEAR(F250051020)		1
102	1283994	C.B.SCREW,2X3,F/ZN-3C		1
103	1067613	MOTOR MOUNT PLATE(F250002010)		1
104	1067820	SHAFT HOLDER GUIDE(F250002020)		1
105	1067333	GUIDE SHAFT(F250002030)		1
106	1065355	RETURN SUPPORT SPRING(F230004030)		1
107	1284227	C.C.S-TITE SCREW,2.5X5,F/ZN-3C		3
108	1283658	E-RING,1.5,F/ZN-3C		1
109	1067375	CARRIAGE SPRING(F250003000)		1
110	1283994	C.B.SCREW,2X3,F/ZN-3C		1
111	1067834	INTERMITTENT GEAR(F250101010)		1
112	1284227	C.C.S-TITE SCREW,2.5X5,F/ZN-3C		4
300	1064594	R DETECTOR ASS'Y(F230003000)		1
301	1067210	BOF COVER(F250153020)		1
400	1067879	CARRIER DRIVE CAM SHAFT ASS'Y(F250201000)		1
401	1064765	DOT HEAD UNIT H(F230727000)	24V 7P	1
500	1067780	PAPER HOLD ROLLER ASS'Y(F250251000)		1
501	1283661	E-RING,2,F/UC-3C		1
502	1067803	PAPER FEED MOTOR MOUNT PLATE SUB ASS'Y(F250253000)		1
503	2049313	PAPER FEED MOTOR B(F250252021)		1
504	1284221	C.C.S-TITE F.SCREW,2.5X3,F/ZN-3C		2
505	1067818	PAPER FEED TRANSMISSION GEAR(F250254010)		1
506	1074007	LEAF SPRING(B101250590)		1
507	1284227	C.C.S-TITE SCREW,2.5X5,F/ZN-3C		2
508	1067771	PAPER HOLD LEVER SUB ASS'Y(F250262000)		1
509	1067668	RELEASE CAM SUB ASS'Y(F250263000)		1
510	1067807	PAPER FEED ROLLER SUB ASS'Y(F250264000)		1
511	1067520	PLATEN(F250261010)		1
512	1067537	PLATEN ADJUSTMENT ROLLER(F250261020)		2
513	1067538	PLATEN ADJUSTMENT ROLLER HOLDER(F250261030)		2
514	1067670	RELEASE CAM SPRING(F250261040)		1
515	1283658	E-RING,1.5,F/ZN-3C		1
516	1067752	PAPER GUIDE SUB ASS'Y(F250265001)		1
517	1067776	PAPER HOLD LEVER SHAFT(F250260020)		1
518	1067775	PAPER HOLD LEVER SPRING(F250260030)		1
519	1284048	C.B.S-TITE SCREW,2.5X5,F/ZN-3C		1
520	1283658	E-RING,1.5,F/ZN-3C		1
600	1067658	RIBBON FRAME SUB ASS'Y(F250352001)		1
602	1064958	RIBBON ROLLING SHAFT(F230001030)		1
603	1064962	RIBBON GEAR(F230001040)		1
604	1282417	E-RING,4,F/UC-3C		1
800	2048963	CIRCUIT BOARD B(F250606010)		1
801	1284227	C.C.S-TITE SCREW,2.5X5,F/ZN-3C		2
802	2049188	CABLE A(F250606020)	11 WIRES	1
803	2049189	CABLE B(F250606030)	12 WIRES	1
1	5037383	INDIVIDUAL BOX,TMU295		1
2	5037384	PAD SET,TMU295,PIF		1
3	5037391	BAG,PE,300X400X0.05t		1
4	5011931	DAMPER(Y541933002)		1
5	5004017	PLASTIC PROTECTIVE BAG,ACCESSORY		1
NON FIG	1080594	OIL O-3 (40GR)[B710300001]		1
NON FIG	1080609	GREASE G-19 (40GR)[B701900001]	CR-910	1





RIBBON CASSET

EXPLODED DIAGRAM FOR TM-U295 NO.2

REV.02