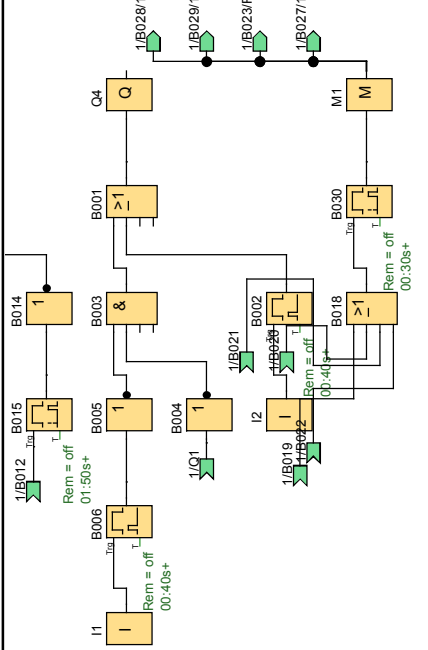


Creator:	qwerty	Project:		Customer:	
Checked:		Installation:		Diagram No.:	
Date:	4/16/14 7:22 PM/4/16/14 7:22 PM	File:		Page:	1 / 10



Creator:	qwerty	Project:	Customer:
Checked:		Installation:	Diagram No.:
Date:	4/16/14 7:22 PM	File:	Page:
			2 / 10



Creator: qwerty

Checked:

Date: 4/16/14 7:22 PM/4/16/14 7:22 PM

Project:

Installation:

File:

Customer:

Diagram No.:

Page:

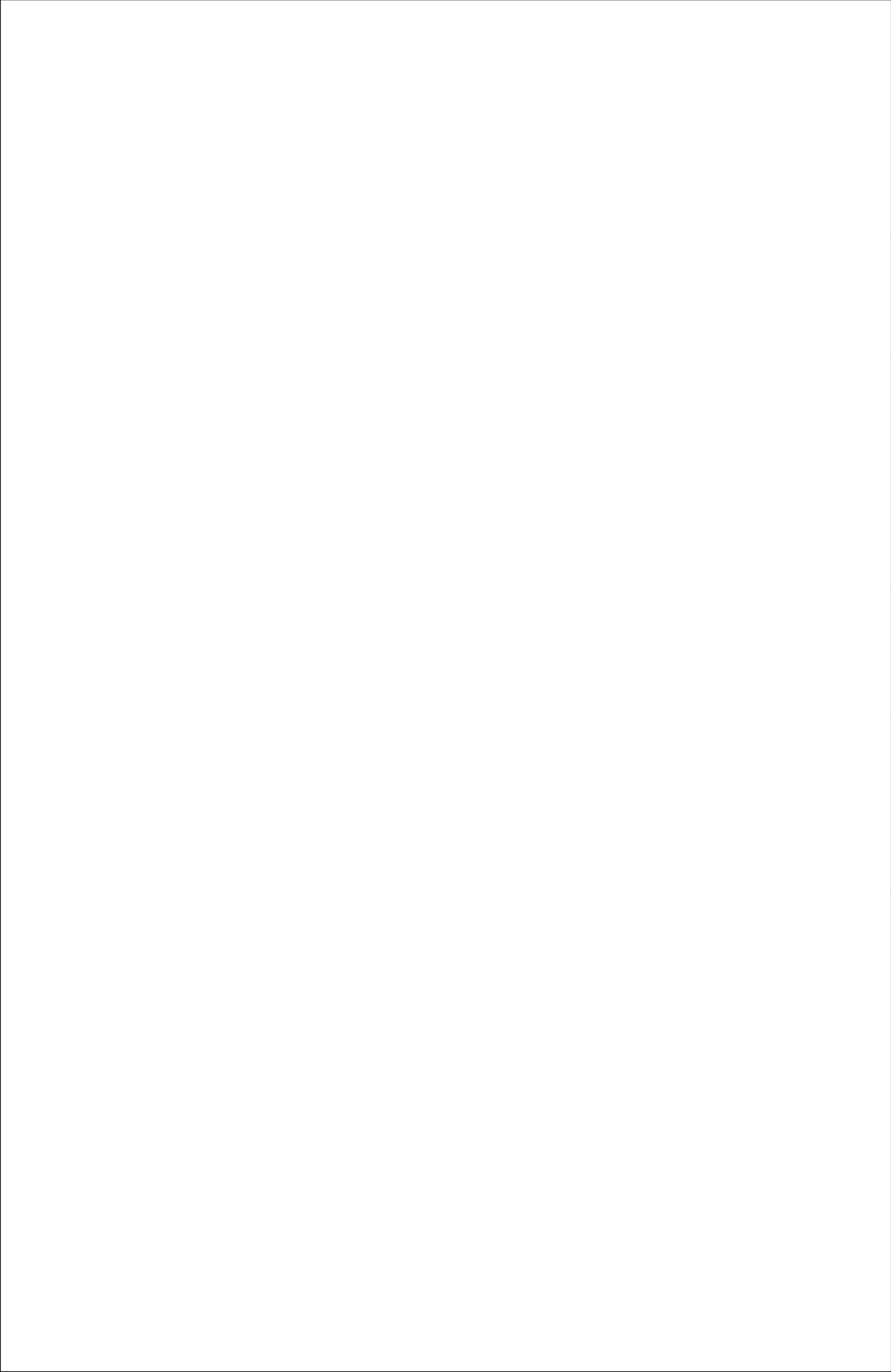
3 / 10



Creator:	qwerty	Project:	Customer:
Checked:		Installation:	Diagram No.:
Date:	4/16/14 7:22 PM/4/16/14 7:22 PM	File:	Page:
			4 / 10



Creator:	qwerty	Project:	Customer:
Checked:		Installation:	Diagram No.:
Date:	4/16/14 7:22 PM/4/16/14 7:22 PM	File:	Page:
			5 / 10



Creator:	qwerty	Project:	Customer:
Checked:		Installation:	Diagram No.:
Date:	4/16/14 7:22 PM/4/16/14 7:22 PM	File:	Page:
			6 / 10

Block Number (Type)	Parameter
B002(Wiping relay (pulse output)) :	Rem = off 00:40s+
B006(Wiping relay (pulse output)) :	Rem = off 00:40s+
B007(Latching Relay) :	Rem = off
B010(Latching Relay) :	Rem = off
B011(Latching Relay) :	Rem = off
B012(Latching Relay) :	Rem = off
B013(Latching Relay) :	Rem = off
B015(On-Delay) :	Rem = off 01:50s+
B016(Up/Down counter) :	Rem = off On=3+ Off=0
B019(On-Delay) :	Rem = off 00:30s+
B020(On-Delay) :	Rem = off 00:30s+
B021(On-Delay) :	Rem = off 00:30s+
B022(On-Delay) :	Rem = off 00:30s+
B023(Up/Down counter) :	Rem = off On=5+ Off=0
B024(Up/Down counter) :	Rem = off On=4+ Off=0
B025(Up/Down counter) :	Rem = off On=3+ Off=0
B026(Up/Down counter) :	Rem = off On=2+ Off=0
B030(On-Delay) :	Rem = off 00:30s+
B031(Wiping relay (pulse output)) :	Rem = off 01:50s+

Creator:	qwerty		Project:		Customer:	
Checked:			Installation:		Diagram No.:	
Date:	4/16/14 7:22 PM/4/16/14 7:22 PM		File:		Page:	7 / 10

Connection	Label
I1	
I2	
I3	
I4	
I5	
I6	
I7	
I8	
I9	
I10	
I11	
I12	
I13	
I14	
I15	
I16	
I17	
I18	
I19	
I20	
I21	
I22	
I23	
I24	
C1▲	
C2▼	
C3◀	
C4▶	
S1.1	
S1.2	
S1.3	
S1.4	
S1.5	
S1.6	
S1.7	



Connection	Label
S1.8	
A1	
A2	
A3	
A4	
A5	
A6	
A7	
A8	
Q1	
Q2	
Q3	
Q4	
Q5	
Q6	
Q7	
Q8	
Q9	
Q10	
Q11	
Q12	
Q13	
Q14	
Q15	
Q16	
AQ1	
AQ2	
X1	
X2	
X3	
X4	
X5	
X6	
X7	
X8	

Connection	Label
X9	
X10	
X11	
X12	
X13	
X14	
X15	
X16	

